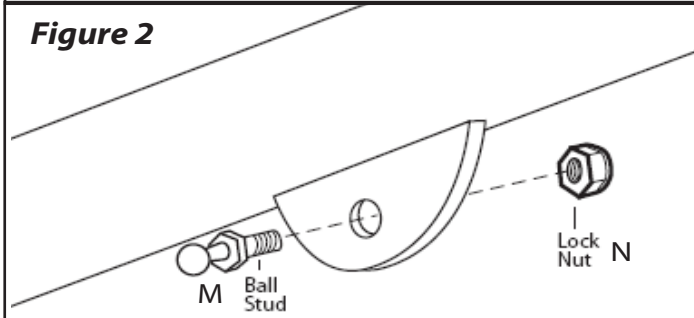


Step #1

Attach the Ball Studs to the Mounting Brackets, making sure the Ball Stud is facing the inside of the bracket (See Fig. 1). Attach the remaining Ball Studs to the Pivot Arms, making sure the Ball Studs are pointed away from the spa (See Fig. 2).

Step #2

Using the #10 x 1" screws, attach the Left and Right Mounting Brackets, even with the back of the spa, to the appropriate sides of the spa (See Fig. 3).

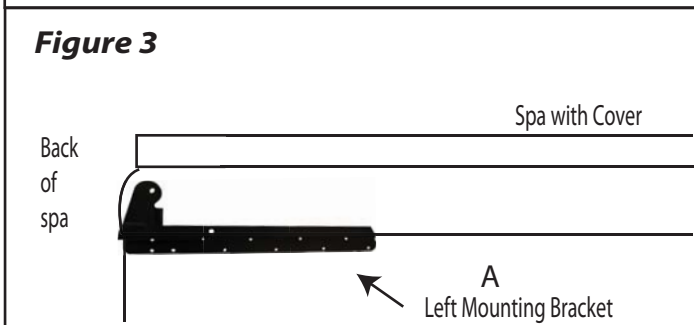


Step #3

Starting with the left side first, Slide the U-shaped retainer clip between the two cover halves with the horizontal part touching the underside of the cover hinge (See Fig. 4). **Note: Do not insert the U-shaped retainer clip in-between the seams of the spa cover.** Repeat the process for the right side of the spa.

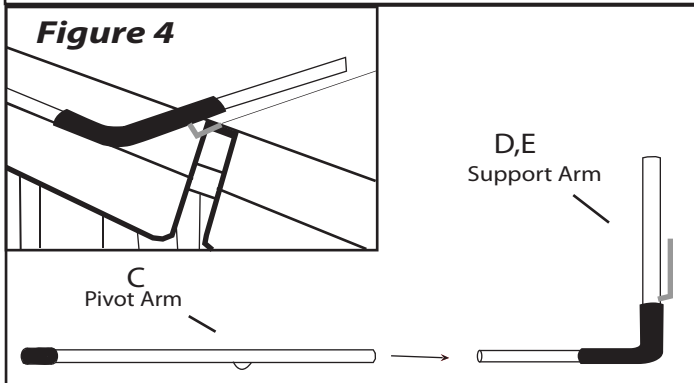
Step #4

Slide the Left and Right Pivot Arms into the ends of the Support Arms (See Fig. 4). **Note: Do not insert the self-tapping screws at this time, this will be completed in step #5.** Next connect the Pivot Arms to the Mounting Brackets (See Fig. 5). Be sure to run the Hex Cap Bolts as pictured. **Note: Lightly tighten the nut so the pivot arm can move freely.**



Step #5

Fasten the Pivot Arms to the Support Arms using the 5/8" Self-Tapping Screws.



Step #6

Attach each Lockdown Strap to a 6" piece of Dual Lock w/VHB, that is included, by pinching the two pieces together to form one piece (See Fig. 6). Next, fold the cover over on top of itself and slide the looped end of the Strap over the retainer portion of the Support Arm (See Fig. 7). Using the Covermate, lift the cover off the spa and place it in the upright position. Pull down on the end of the Strap and mark where it will be attached to the cover (See Fig. 7). Using the supplied alcohol wipe, clean the area of the underside of the cover where the strap is to be adhered to thoroughly. Pull down tightly while removing the backing off the sticky side of the strap and press onto the cover. **Note: Wait 15 minutes before operation of your Covermate ECO III. After determining strap position, close cover and re-snap Lockdown Strap.**

Step #7

Using the Covermate, lift the cover off the spa and place it in the upright position. Snap the gas shocks on the ball studs (See Fig. 8 for complete look). **Note: Be sure to install the Gas Shocks with the black body on top.**

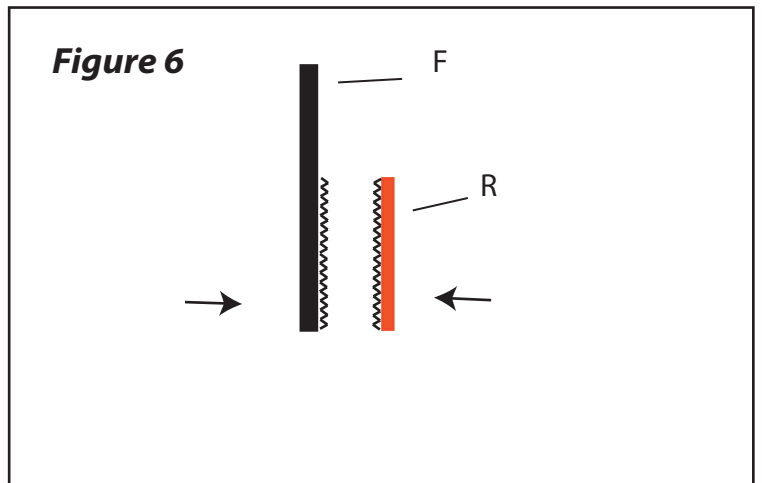
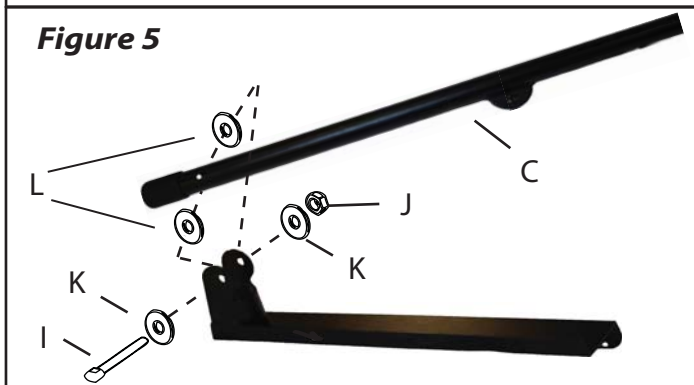
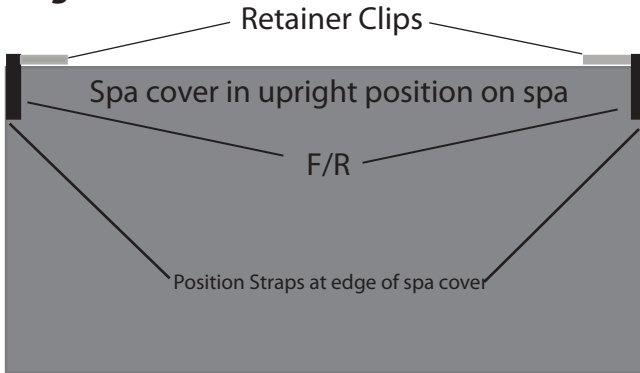


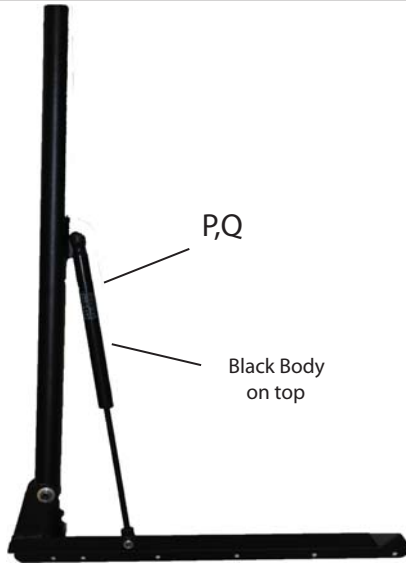
Figure 7



Note: Strap must be adhered to the furthest edge of the cover as possible.

Note: For Strap to adhere properly, clean cover with the supplied alcohol wipe thoroughly where the Strap will be adhered to. When area is dry, pull off red backing on Strap. Pull down on Strap tight to secure to the spa cover. Wait 15 minutes before operation of lift.

Figure 8



Operation of the Covermate III Eco

1. Fold the spa cover over on top of itself. While gripping the curved portion of the Support Arm, motion the spa cover into its vertical and upright position

2. **Important: when closing the spa cover always make sure to unlock the Shock by pushing on the orange stop before pulling the Covermate down to prevent possible lift damage.**

CAUTION!

Do not use the Covermate in high wind condition (greater than 10 m.p.h). Injury from the spa cover being blown over and impacting the spa user can occur.

ITEM	PART#	DESCRIPTION	QTY
A	100900	BRACKET-CMIII ECO - LEFT	1
B	100901	BRACKET-CMIII ECO - RIGHT	1
C	100906	PIVOT ARM-CMIII ECO	2
D	100897	SUPPORT ARM W/RETAINER-CMIII ECO - LEFT	1
E	100903	SUPPORT ARM W/RETAINER-CMIII ECO - RIGHT	1
F	100904	STRAP-CMIII ECO	2
R	100907	DUAL LOCK W/VHB ADHESIVE 6" STRIP	2
G	100835	#10 X 5/8" SELF-TAPPING SCREW, BLACK	6
H	100836	#10 X 1" SHEET METAL SCREW, BLACK	22
I	100837	3/8 X 2.25" HEX CAP BOLT, BLACK	2
J	100838	3/8 NYLON LOCKNUT, BLACK	2
K	100839	3/8 FLAT WASHER, BLACK	4
L	100840	3/8 X 1" NYLON FLAT WASHER, BLACK	4
M	100244	5/16 BALL STUD	4
N	100841	5/16 NYLON LOCKNUT, BLACK	4
O	100895	1/4 FLAT WASHER, BLACK	4
P	100828	SHOCK - 40#	1
Q	100831	LOCKING SHOCK - 40#	1